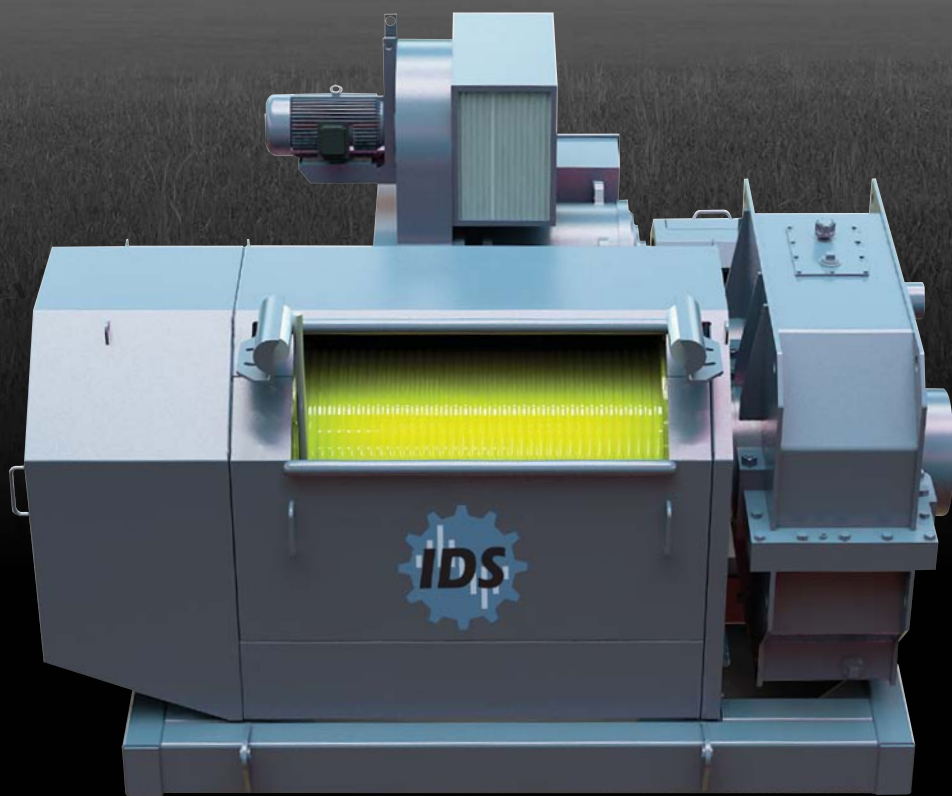


# AC Gear-Driven Drawworks for Land and Offshore Rigs



## **INTELLIGENT**

*Predictive maintenance,  
remote monitoring*

## **COMPACT**

*Lighter, smaller, tougher*

## **POWERFUL**

*More hook load, less footprint*



**Intelligent Drilling Solutions™**

# AC Gear-Driven Drawworks

Our gear-driven drawworks represent the leading edge of modern drilling technology. They are unmatched in performance, safety and reliability. The units are designed for both cost and operational efficiency with less weight, a smaller footprint, reduced noise and vibration.

High operational speeds are achieved with Variable Frequency Drive (VFD) AC motors. As part of a new rig package or as an upgrade to an older rig, IDS AC drawworks allow you to drill faster, safer and smarter with dramatically less time spent on maintenance.

## Benefits

- Advanced compact design saves rig space
- Rugged construction extends run life
- Less noise and vibration
- Sensors help reduce operational downtime
- Faster and safer drilling operations with built-in “intelligent” systems
- Lower maintenance costs by eliminating HPU and coolers
- Low operational costs
- Manufactured to API Q1 & 7K.

## Features

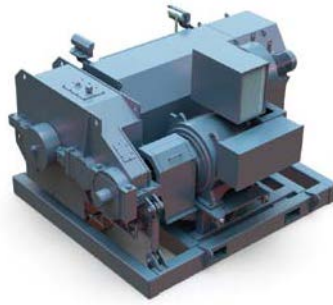
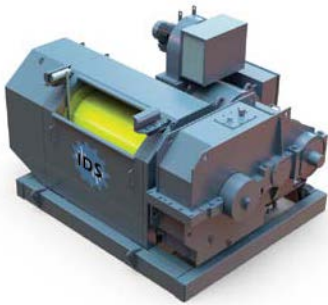
- Onboard data collection monitors: critical bearings, motor windings, lube oil parameters and system air pressures
- Self-aligning, single-speed gearbox
- Self-contained gearbox lubrication
- Keyless drum shaft
- No HPU or coolers
- Automatic bearing lubricator
- Fail-safe, spring-set brake
- Brake wear sensor
- Self-aligning brake
- Redundant encoders.

## Additional Features with IDS Control System

- Matched performance
- Remote diagnostics
- Fiber-optic encoder cables
- Vibration, trending and preventative maintenance.

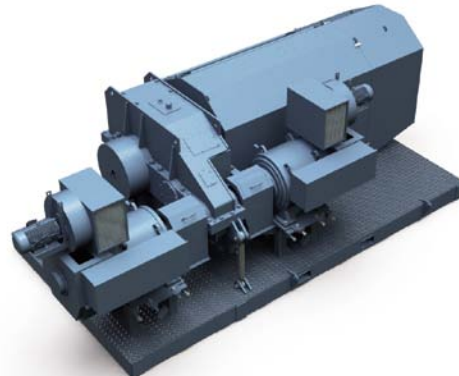
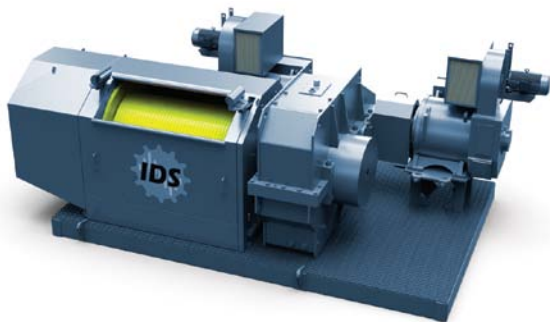
### Specifications: IDS-1000 to IDS-1500 AC Drawworks

Model No.	Horsepower		Drum Dia. (in.)	Skid Dimensions (in.)	Weight (lb)	Lines	Hook Load 2nd Layer (lb)	Block Speed Max. 2nd Layer (ft/min)	Line Size (in.)	Spring Set Brake
	Int.	Cont.								
IDS-1000	1500	1230	32	105 x 120	41,500	8 10 12	432,000 519,000 598,000	297 238 198	1.125	236
IDS-1200	1800	1230	32	105 x 120	42,600	8 10 12	529,000 635,000 732,000	298 238 199	1.250	336
IDS-1500	2250	1500	32	105 x 120	42,800	8 10 12	622,000 750,000 864,000	304 243 203	1.375	336
IDS-1500D (dual motor)	2250	2250	32	105 x 174	57,000	8 10 12	622,000 750,000 864,000	304 243 203	1.375	436



### Specifications: IDS-2000 to IDS-4000 AC Drawworks

Model No.	Horsepower		Drum Dia. (in.)	Skid Dimensions (in.)	Weight (lb)	Lines	Hook Load 2nd Layer (lb)	Block Speed Max. 2nd Layer (ft/min)	Line Size (in.)	Spring Set Brake
	Int.	Cont.								
IDS-2000	3000	2460	40	124 x 205	76,200	10 12 14	920,000 1,065,000 1,199,000	280 233 200	1.500	248
IDS-2500	3700	2460	40	124 x 205	79,400	10 12 14	1,061,000 1,228,000 1,382,000	282 235 202	1.625	348
IDS-3000	4500	3000	40	124 x 205	79,900	10 12 14	1,204,000 1,393,000 1,560,000	284 237 203	1.750	348
IDS-4000	5700	4000	44	126 x 242	105,000	12 14 16	1,613,000 1,815,000 2,005,000	251 215 196	2.000	448



# IDS Capabilities

A drilling rig is a complex combination of structure, drilling machinery, power, control and instrumentation that must all work in concert to deliver a highly productive drilling system.

IDS integrates state-of-the-art mechanical and electrical components into complete, coordinated drive systems for land and offshore rigs. The company's management team includes recognized industry leaders who have a continuous record of innovation of more than forty years.



IDS offers products for land and offshore drillers:

- AC drawworks
- Power/control houses
- Generator controls
- VFD and SCR controls
- Driller's cabins
- Autodriller
- Rig automation and control systems
- Brakes for drawworks and mooring winches
- Cooling packages and brake monitor systems
- Clutches, couplings and other mechanical solutions
- 24-hour, field service and parts.

Integrated Drive Systems, LLC  
6623 Willowbrook Park Drive  
Houston, TX 77066  
+1 713.462.1400 (Office)  
+1 713.462.1400 (After Hours)  
+1 713.462.1405 (Fax)  
sales@IDS-oilfield.com

**IDS-oilfield.com**

